

Elevator CPU Holder

Compact and unobtrusive to blend with any furniture range.

Tried and tested ratchet winding system to raise the CPU from floor level to fully a secured position without the need to remove the Elevator from its mounting.

The strong, light and breathable mesh fabric sling provides a stable and secure hold of the CPU without risk of damage or overheating.

Soft, curved, feet on the base of Elevator give good grip onto even unusual shaped CPUs and also prevent damage and scratching.

Integral cable lock feature for added security.

Elevator is supplied as standard with a rotational mounting plate. A slide and rotate option is also available.

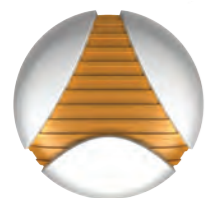
Available with a wide range of mounting options and special bracketry.

Maximum CPU capacity up to 1340mm in circumference.

Maximum CPU weight up to 20 kg.

Available in Silver as standard. Special colours are available dependant on volume.

Manufactured from recyclable materials.



adapt

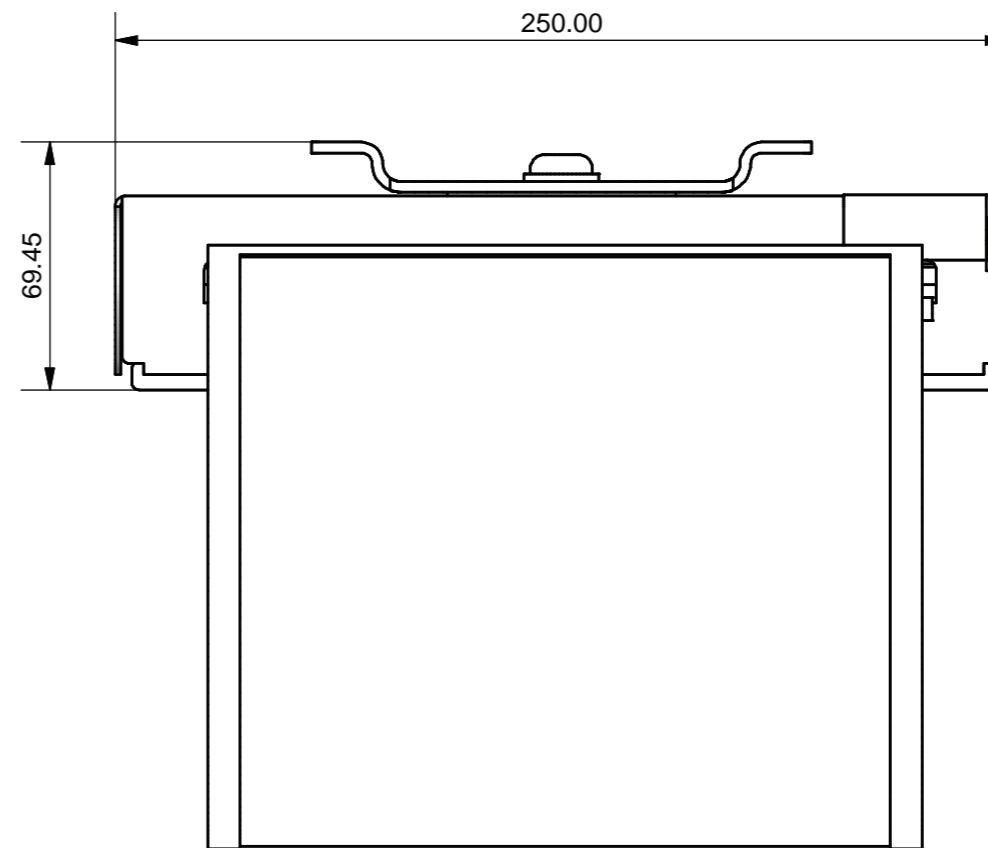
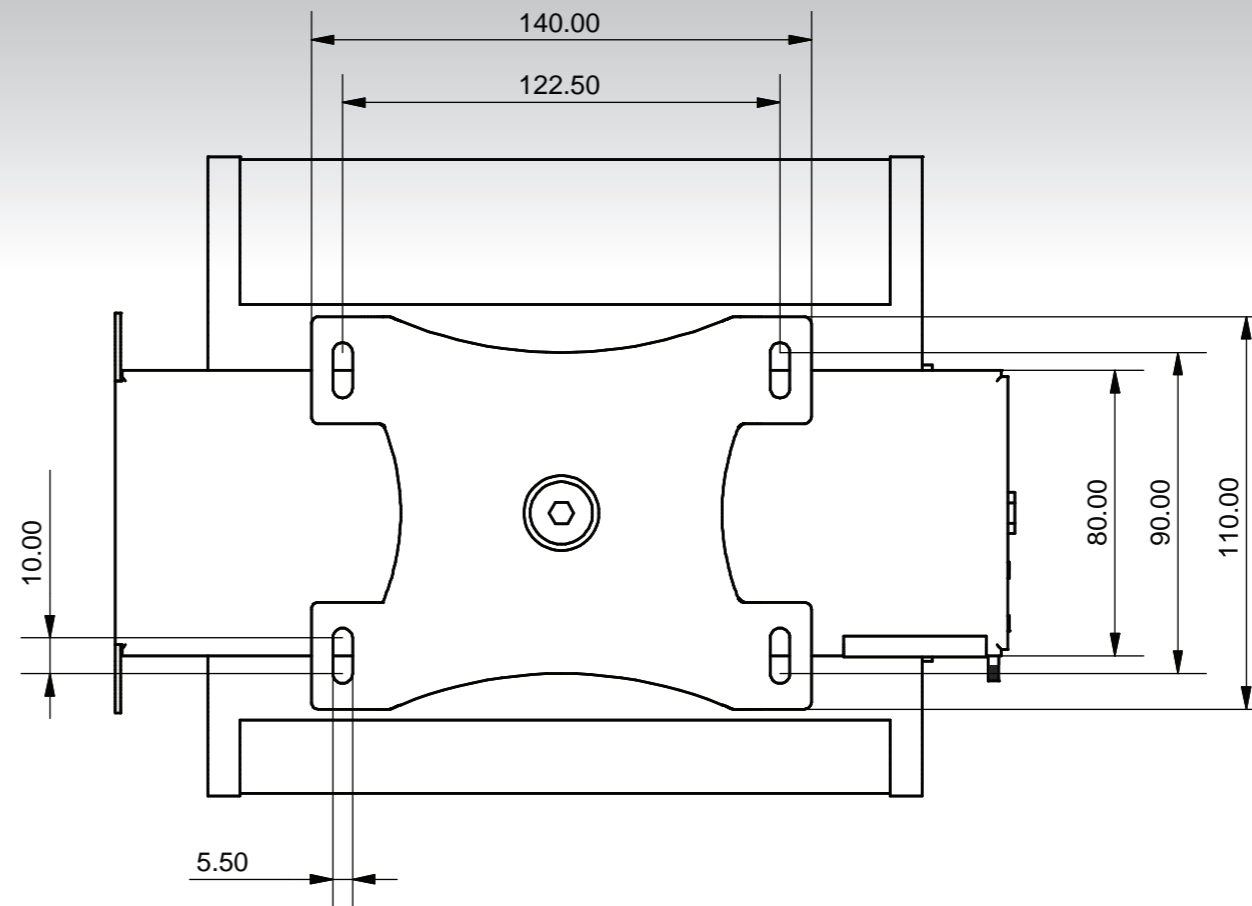
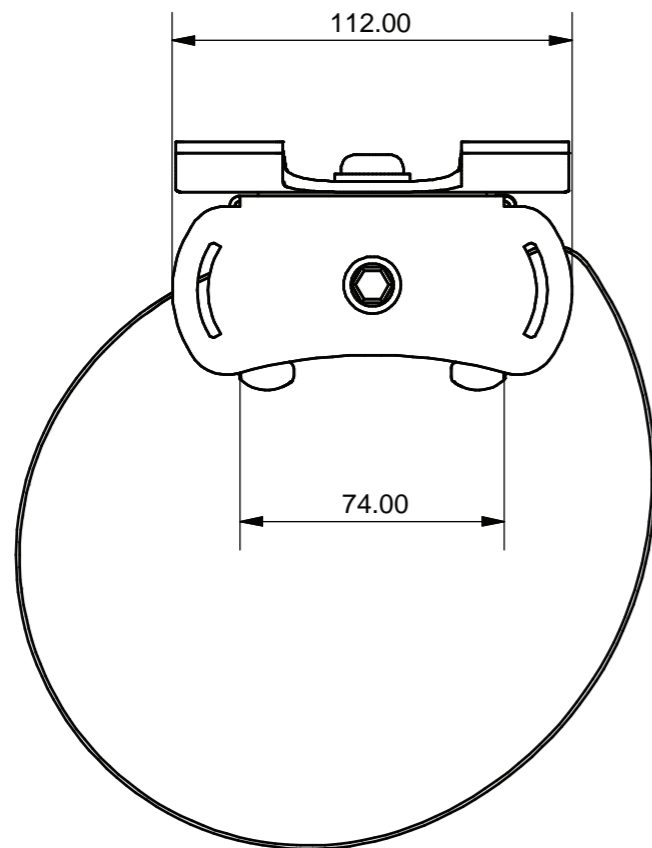
adaptive design and product tailoring

adapt UK Ltd.
Steadings Barn
Whittlebury
Northamptonshire
NN12 8XS
+44 (0)1327 855834
www.adapt-uk.com

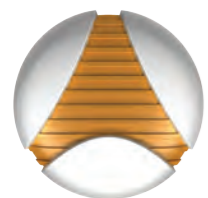
Elevator : CPH-261SL

Elevator CPU Holder

Contents of box: Elevator CPU holder
Winding tool
Full fitting and operating instructions
Fixings, where required



Elevator : CPH-261SL

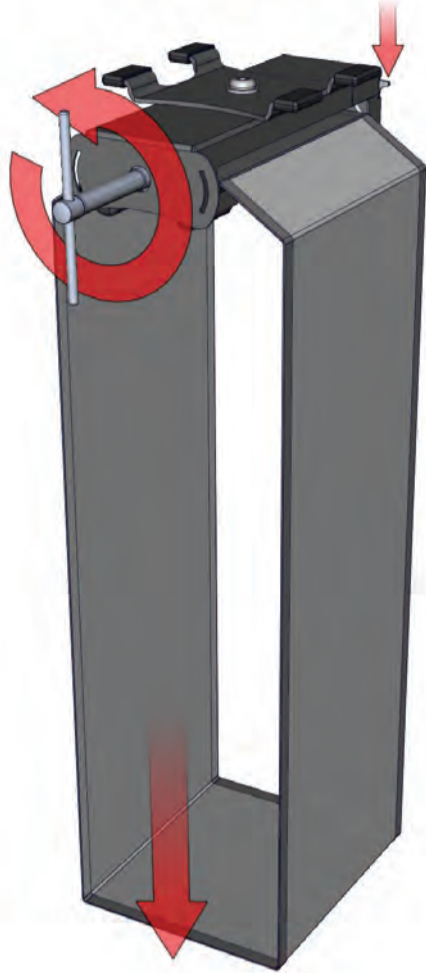


adapt

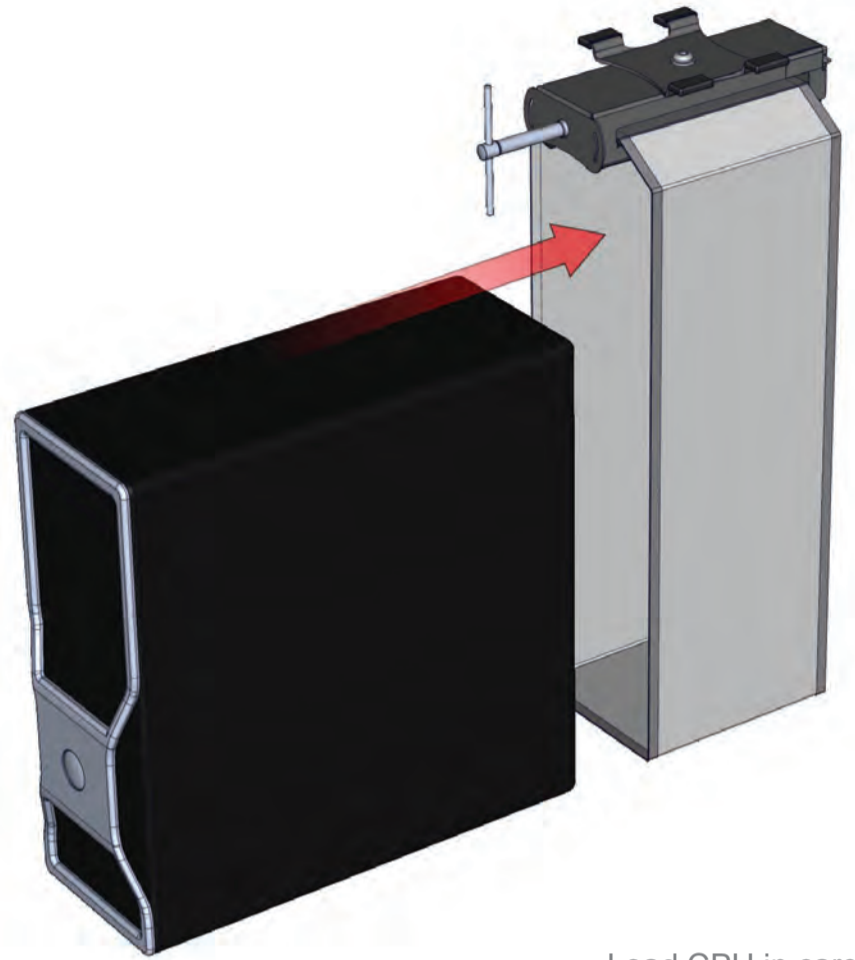
adaptive design and product tailoring

adapt UK Ltd.
Steadings Barn
Whittlebury
Northamptonshire
NN12 8XS
+44 (0)1327 855834
www.adapt-uk.com

Loading CPU into Elevator



Unwind sling to its maximum or until it reaches the floor

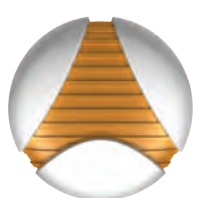
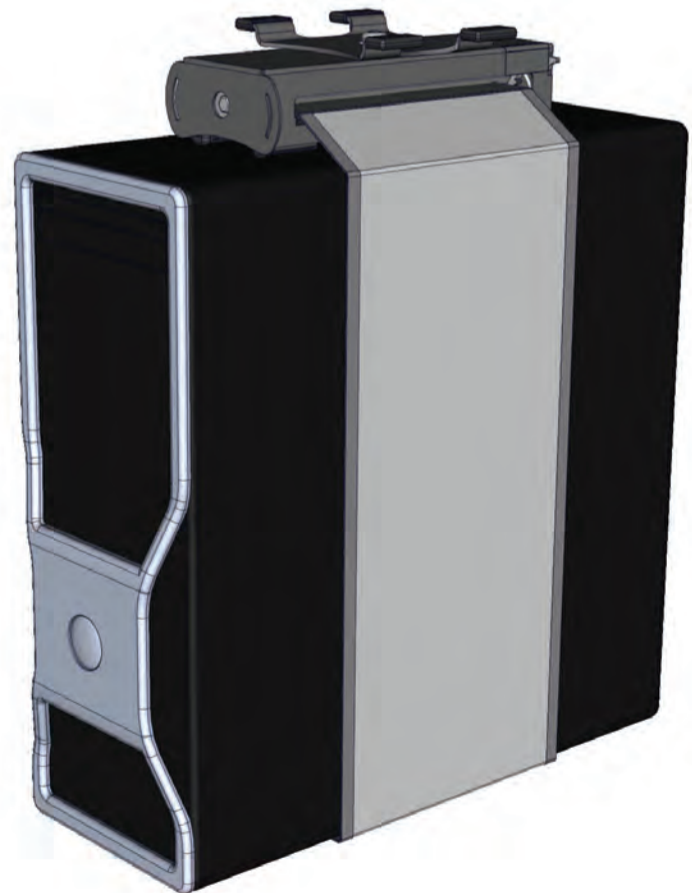


Load CPU in carefully making sure it is fully inside the sling before winding

Wind up sling until the CPU is touching the rubber feet on the underside of the Elevator



Centre, straighten and level the CPU before fully tightening and removing wrench



adapt

adaptive design and product tailoring