

# Proflex CPU Holder

ProFlex is supplied as standard for fixed mounting to the underside of the work surface, however slide and rotate options are also available.

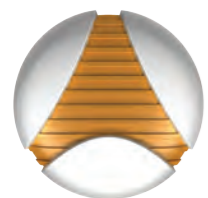
Available with a wide range of mounting options and special bracketry.

CPU Capacity - Width: 10 - 205mm, Height: Up to 520mm

Maximum CPU weight up to 20 kg.

Available in Silver as standard. Special colours are available dependant on volume.

Manufactured from recyclable materials.



adapt

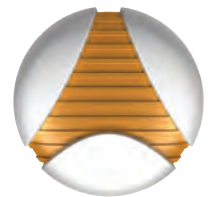
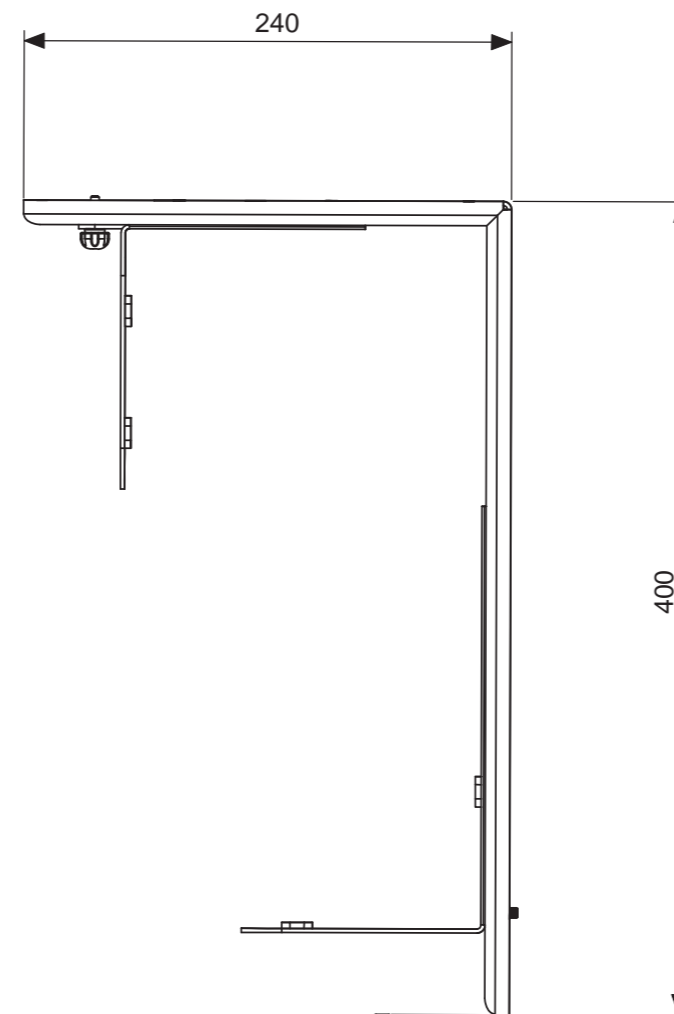
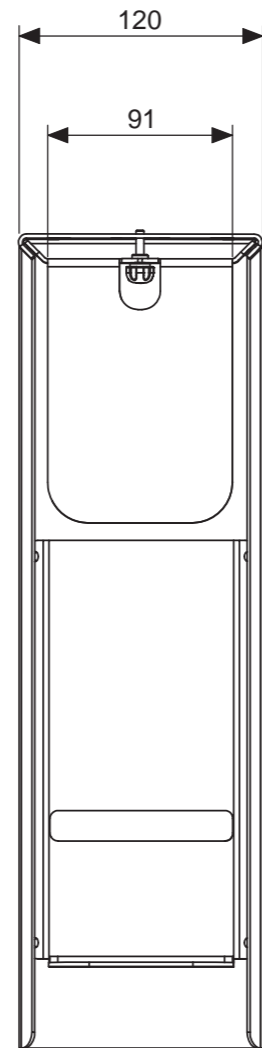
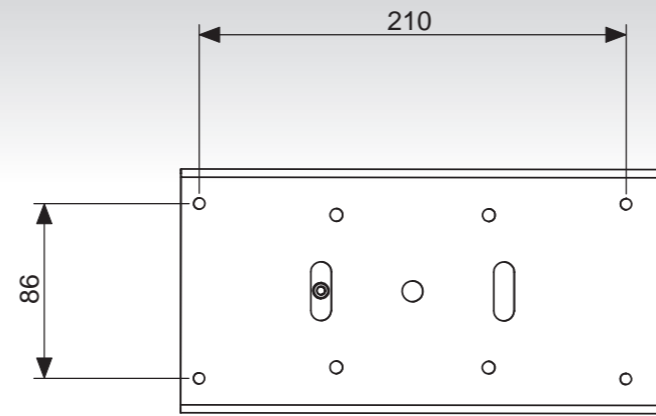
adaptive design and product tailoring

adapt UK Ltd.  
Steadings Barn  
Whittlebury  
Northamptonshire  
NN12 8XS  
+44 (0)1327 855834  
www.adapt-uk.com

Proflex : PROF-007SL

# Proflex CPU Holder

Contents of box: Proflex CPU holder  
Full fitting and operating instructions  
Fixings, where required



**adapt**

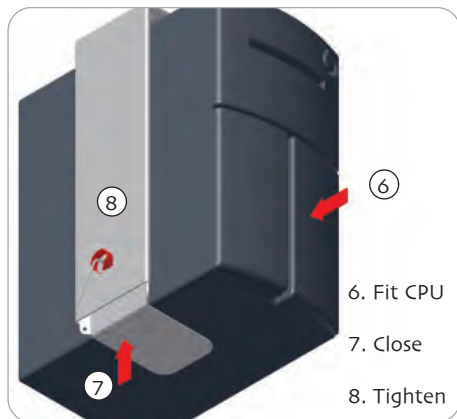
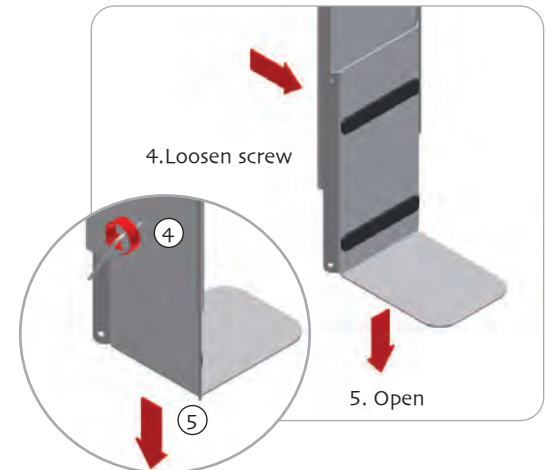
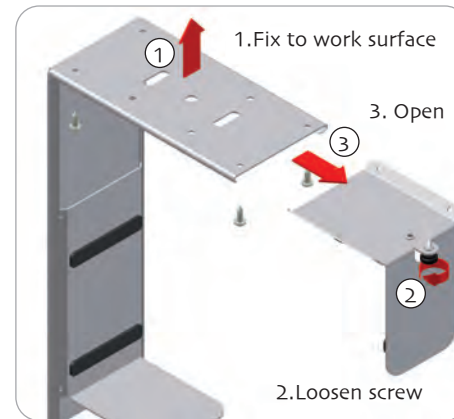
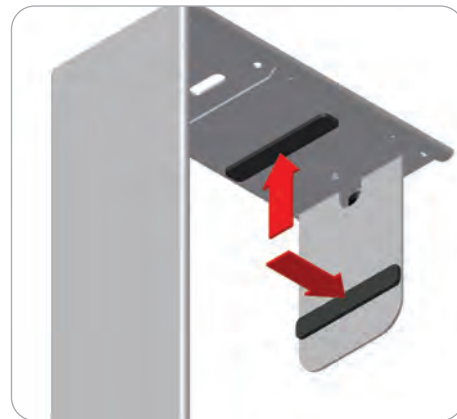
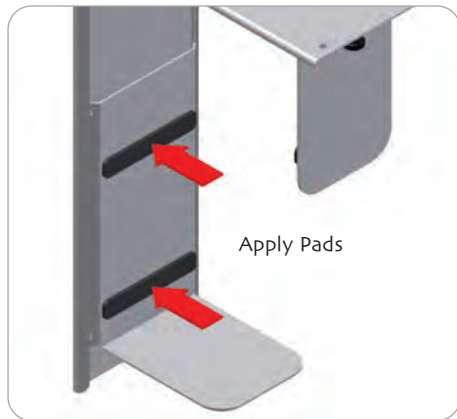
adaptive design and product tailoring

adapt UK Ltd.  
Steadings Barn  
Whittlebury  
Northamptonshire  
NN12 8XS  
+44 (0)1327 855834  
www.adapt-uk.com

Proflex : PROF-007SL



### Large CPU's



### Small CPU's (repeat steps as above)

