

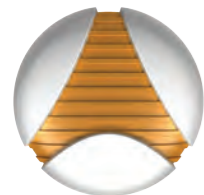
Shadow Celle Chair Hanger

Shadow was designed and manufactured to secure to the main frame work of the Celle chair to offer coat hanging facilities for the user.

Constructed from formed steel rod and injection moulded Nylon, both matched for colour and texture, Shadow blends seamlessly with the chair. Shadow is simple to fit, fully adjustable and does not affect the stability or structure of the chair in any way.

A name tag is also available with the hanger to identify specific user's chairs.

Manufactured from recyclable materials.



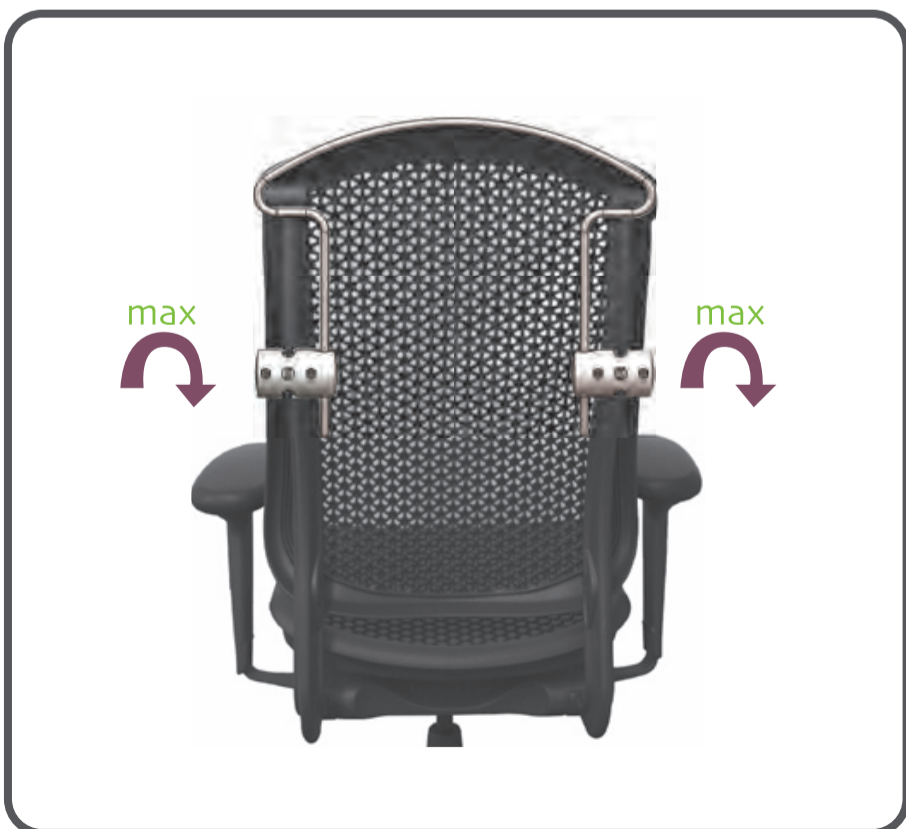
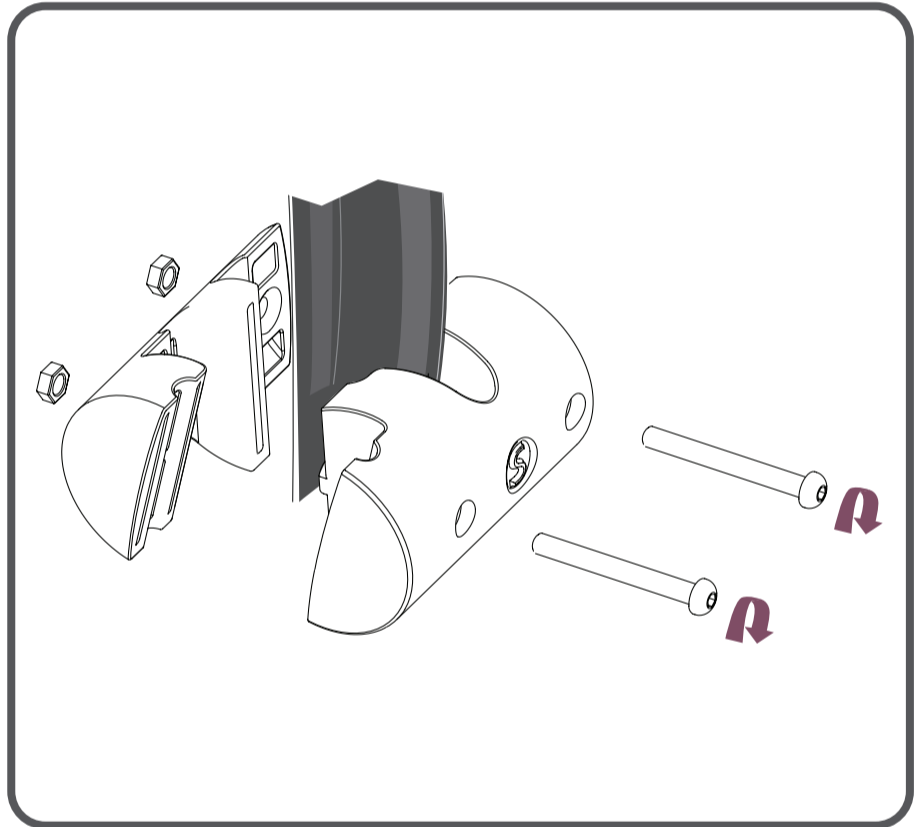
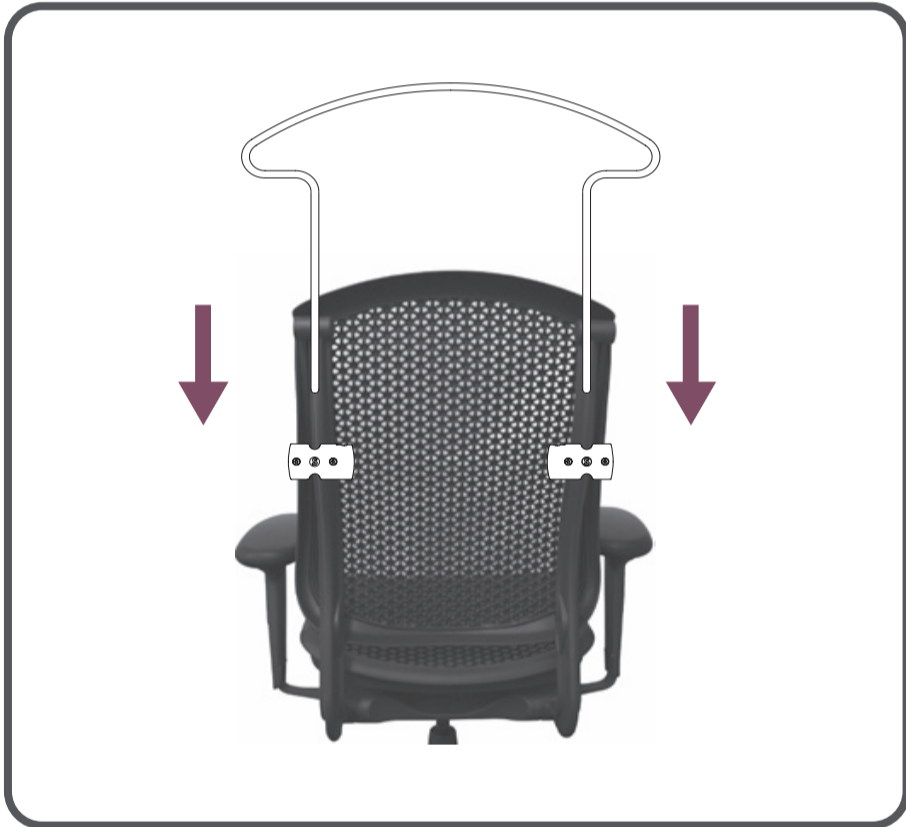
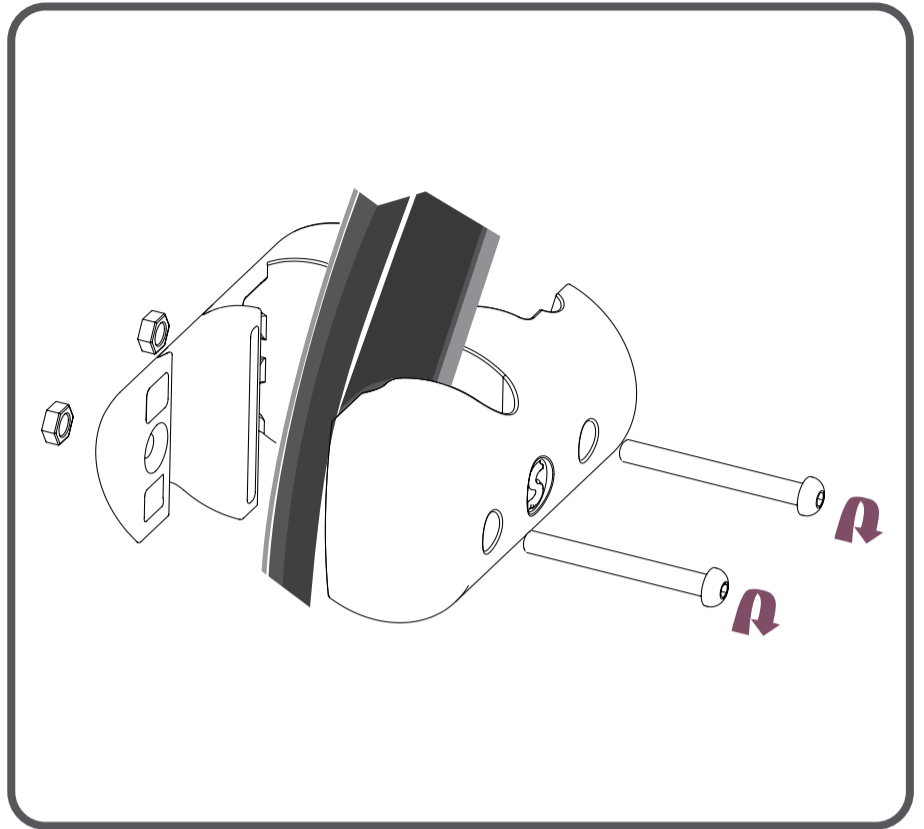
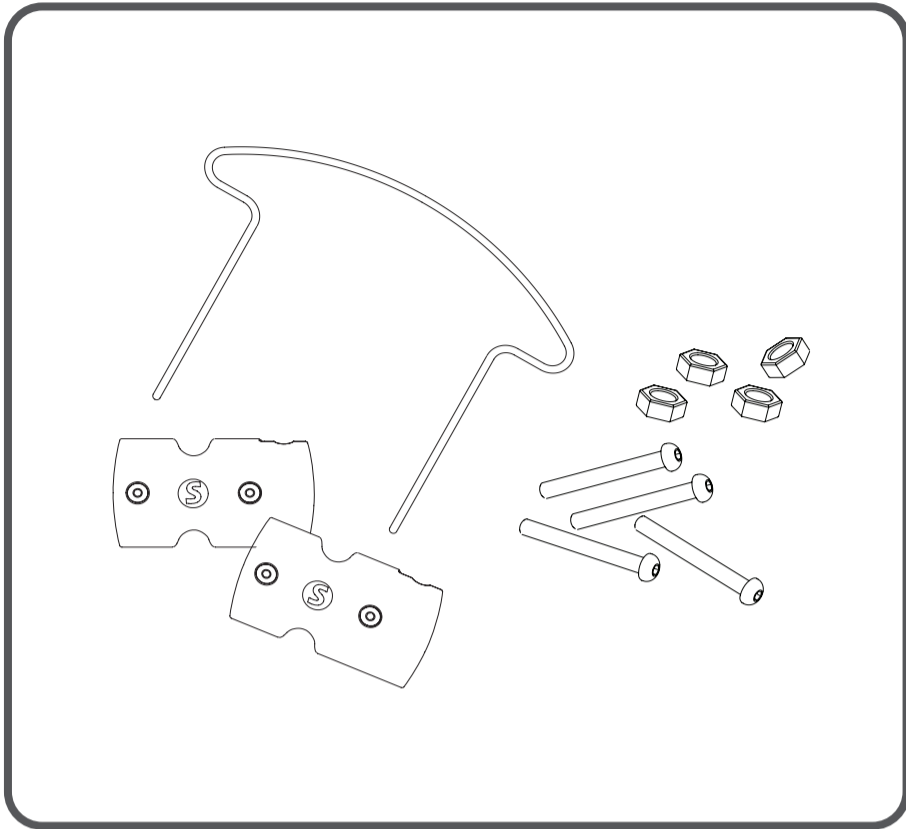
adapt

adaptive design and product tailoring

adapt UK Ltd.
Steadings Barn
Whittlebury
Northamptonshire
NN12 8XS
+44 (0)1327 855834
www.adapt-uk.com

CCHR-006GA

Shadow Celle Chair Hanger



CCHR-006GA