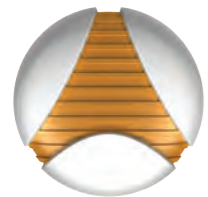


Spacearm Monitor mount

SpaceArm has been designed to integrate aesthetically and functionally into any furniture system or application.

SpaceArm is the only flat screen, gas-lift display support range which allows you to upgrade a single arm to a double, triple, quad or even double quad, on a single column. With sit-stand and quick-change VESA mounting options, SpaceArm is the perfect choice for professional specifiers and users who are looking for quality manufacturing, style, ergonomics and cost-effective upgradeable flexibility.



adapt

adaptive design and product tailoring

adapt UK Ltd.
Steadings Barn
Whittlebury
Northamptonshire
NN12 8XS
+44 (0)1327 855834
www.adapt-uk.com

Spacearm Monitor mount

One to eight monitors on a single column.

Hub & Spoke system (patent pending) permits easy field change from single to multiple screen applications.

Single motion 5 axis position adjustment.

Can be mounted to virtually any horizontal or vertical surface, including most office furniture panel systems.

High pressure die-cast aluminium construction.

Conforms to VESA 75mm and 100mm mounting patterns.

Height Adjustment - 356mm

Arm extension - 556mm.

Arm rotation - 359 degrees.

Extension arm rotation - 359 degrees.

Bracket arm rotation, with monitor - 230 degrees.

Monitor swivel - 359 degrees.

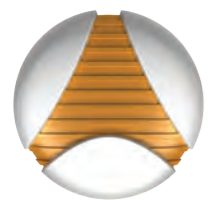
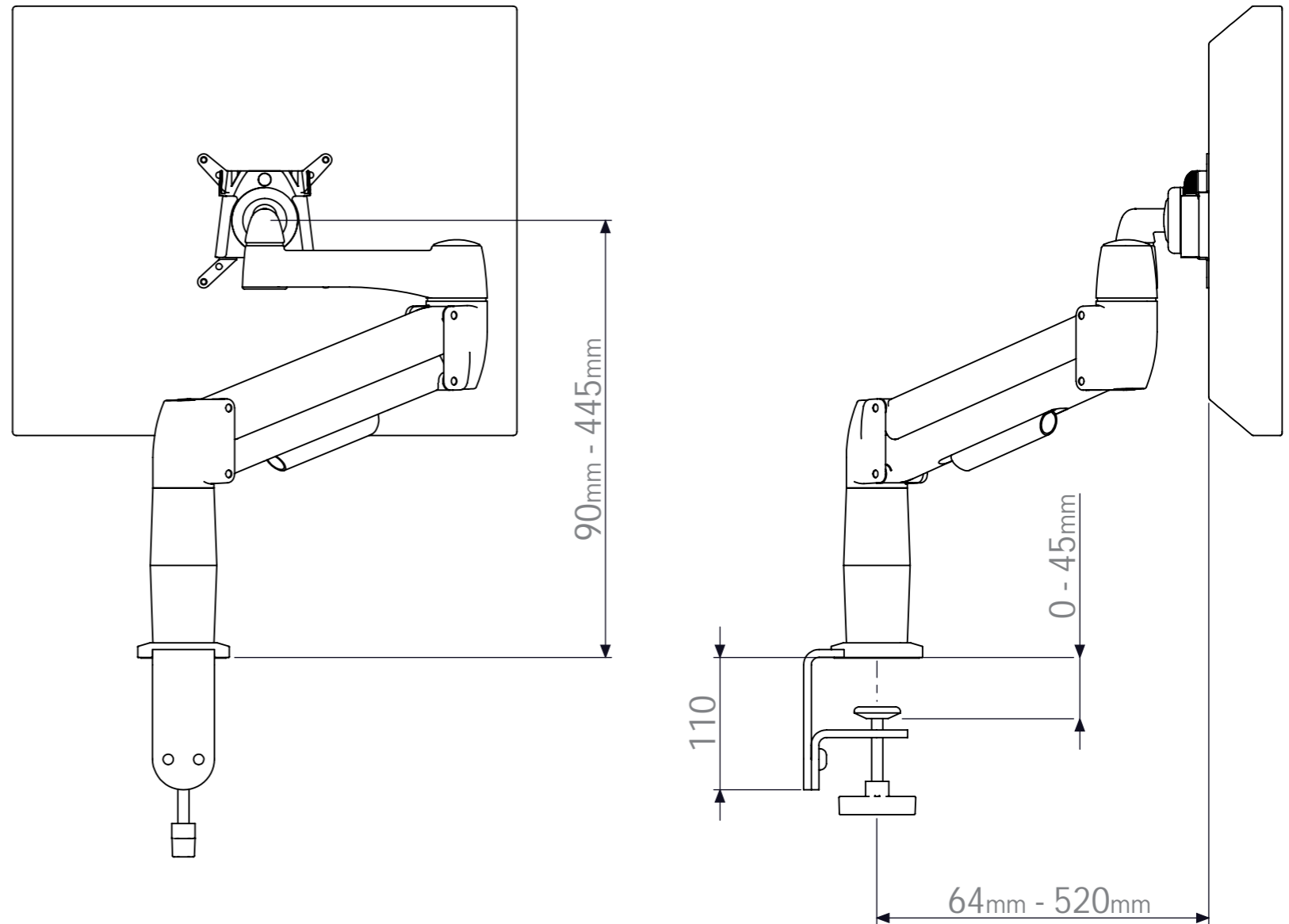
Monitor tilt - 40 degrees.

Folded depth - 67mm.

Counterbalance - Adjustable for 3kg - 10kg monitors (other ranges available).

Arm height can be locked using the optional Set Screw/Pin.

Thermo-fused polyester finish available in Platinum silver and white.



adapt

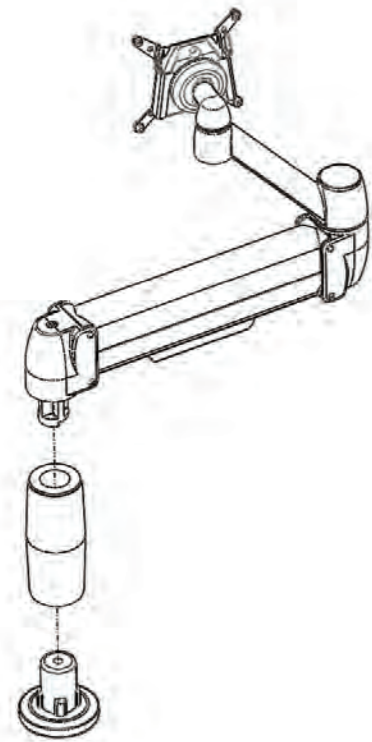
adaptive design and product tailoring

adapt UK Ltd.
Steadings Barn
Whittlebury
Northamptonshire
NN12 8XS
+44 (0)1327 855834
www.adapt-uk.com

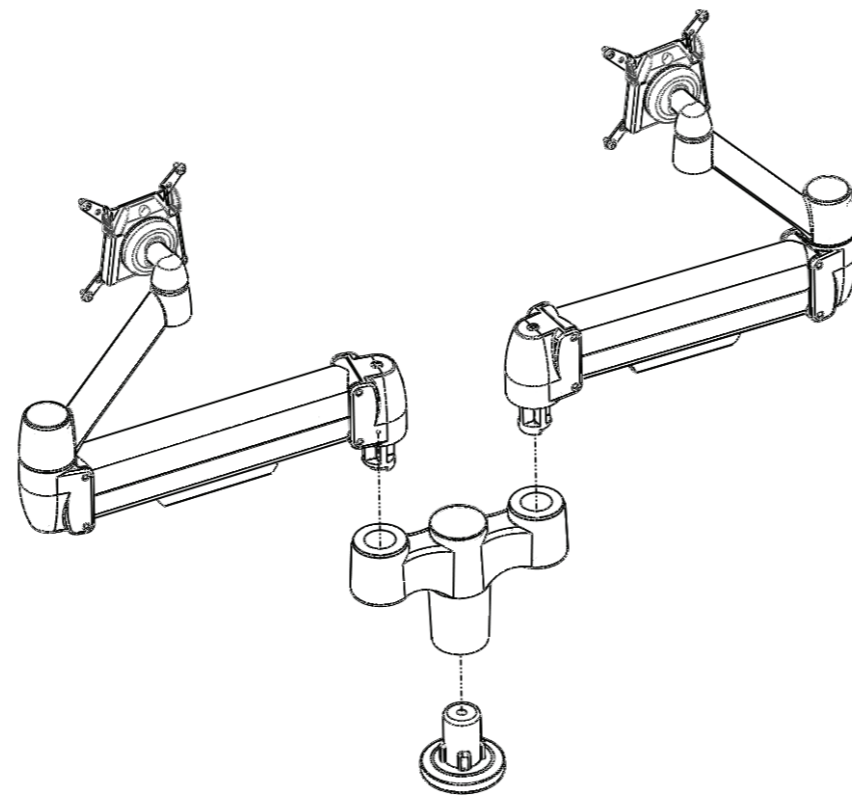
Spacearm Monitor mount

The Spacearm system is designed in such a way as to make it quick and simple to upgrade and reconfigure any setup as required.

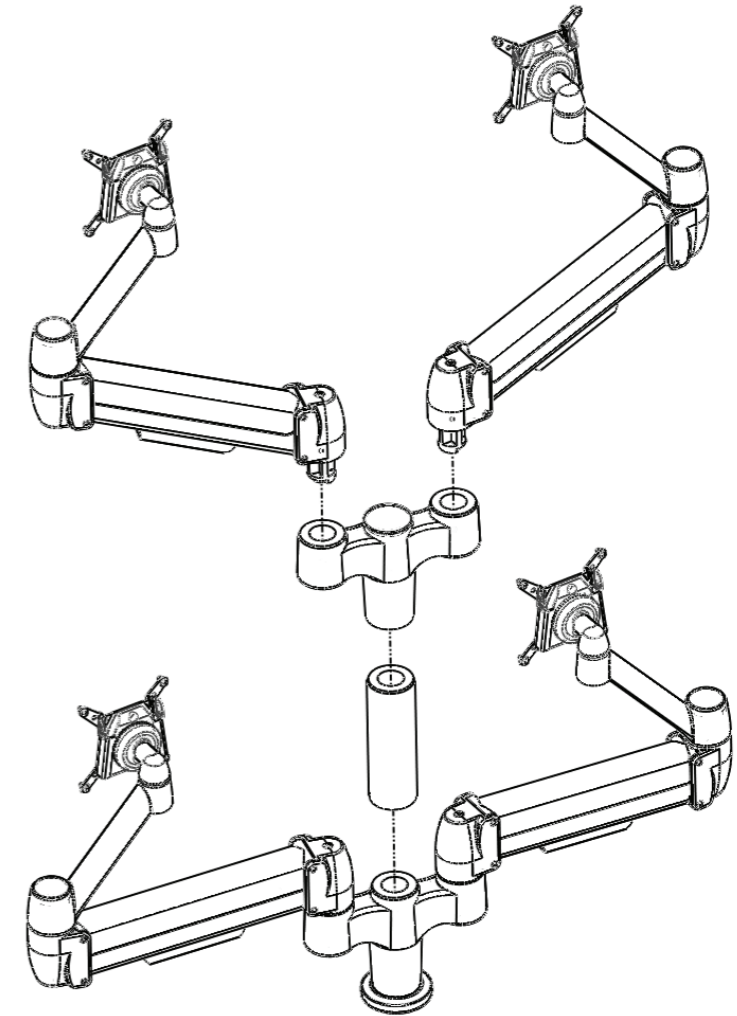
Using standard parts a single arm can be upgraded to a double, quad or beyond.



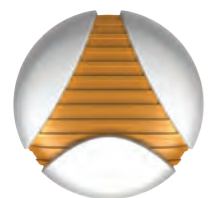
Single



Double



Quad



adapt

adaptive design and product tailoring

adapt UK Ltd.
Steadings Barn
Whittlebury
Northamptonshire
NN12 8XS
+44 (0)1327 855834
www.adapt-uk.com

Spacearm - quick connect - platinum
SA01QC-CC-PLT

