

Signature Name plates

The Signature range of name plates is constructed from anodised aluminium and clear acrylic with a gently curved profile to produce a premium look and finish.

Available with two different hanging profiles and in three lengths Signature is capable of fitting in with most furniture.

Extruded aluminium rear profile.

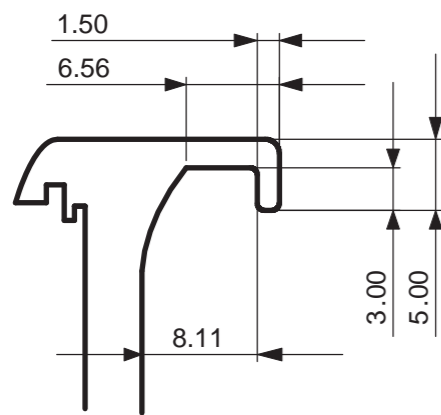
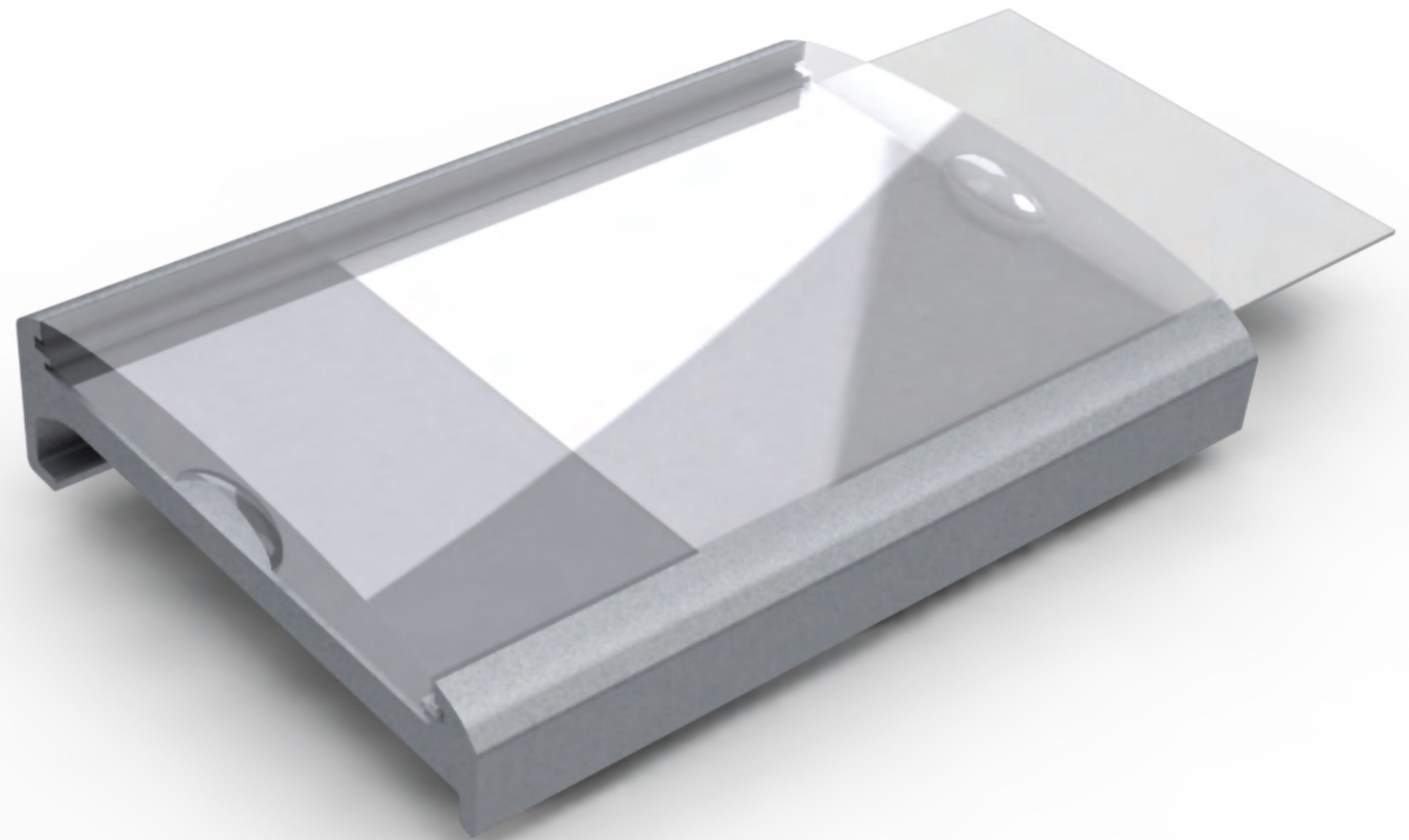
Polished acrylic 'lens' front.

Velvet pads on the rear prevent any scratching of the tool rail.

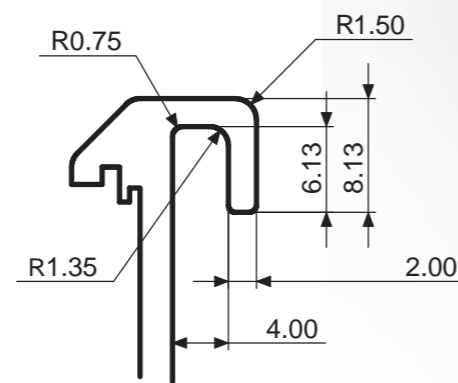
Available in clear anodised finish as standard. Other finishes are available dependant on volume.

Each box comes with perforated sheets to print and slide into the holder.

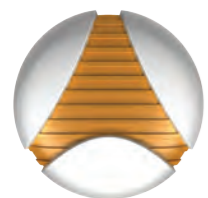
Available in three lengths: 90mm, 150mm, 200mm.



Hanging profile A



Hanging profile B



adapt

adaptive design and product tailoring

adapt UK Ltd.
Steadings Barn
Whittlebury
Northamptonshire
NN12 8XS
+44 (0)1327 855834
www.adapt-uk.com